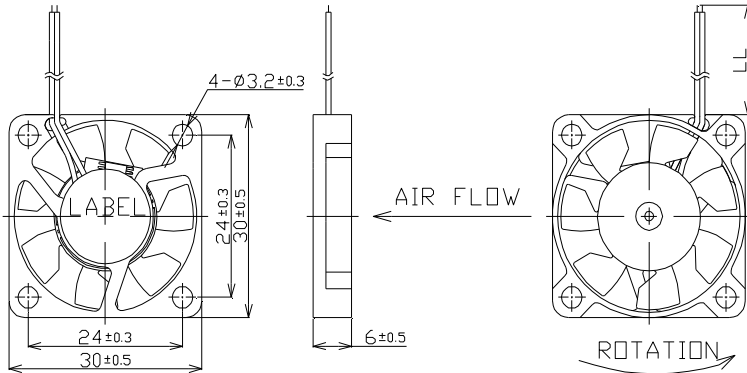


### ◆外观图 Appearance Drawing



单位: mm



### ◆产品规格 Specifications

型号 Model	额定电压(DCV) Rated voltage	使用电压范围(DCV) Operating Voltage	额定电流 Rated current	额定功率 Rate input	最大风量 Max air volume	最大静压 Max static pressure	A特性音压 Noise level	回转速度 Rotational Speed
	(V)	(V)	(A)	(W)	(m3/min)	(pa)	(dB)	(min <sup>-1</sup> )
F3006ES-05TCV	5	4.5~5.5	0.14	0.70	0.06	16.6	30	7000
F3006ES-12TCV	12	10.2~13.8	0.07	0.84				
F3006ES-05UCV	5	4.5~5.5	0.16	0.80	0.07	22	33	8500
F3006ES-12UCV	12	10.2~13.8	0.08	0.96				
F3006ES-05WCV	5	4.5~5.5	0.2	1.00	0.1	34.5	35	10500
F3006ES-12WCV	12	10.2~13.8	0.14	1.68				

### ◆标准规格 Standard Specification

使用温度范围[°C]: -10 ~ 70

保存温度范围(Storage temperature)[°C]: -40 ~ 70

绝缘电阻(Insulation resistance): DC 500V, 10MΩ 以上

耐电压(Withstanding Voltage): 5[mA]以下 (AC500V 1min, AC600V 1s)

电机保护(Motor protection): 烧损保护(Protection from Over-heating)

导线(Lead wire): UL1571 AWG 28 +: Red -:black

### ◆构造规格 Mechanical Specification

机壳(Frame): 塑料(黑色)Plastic (Black)

叶轮(Impeller): 铁 Fe

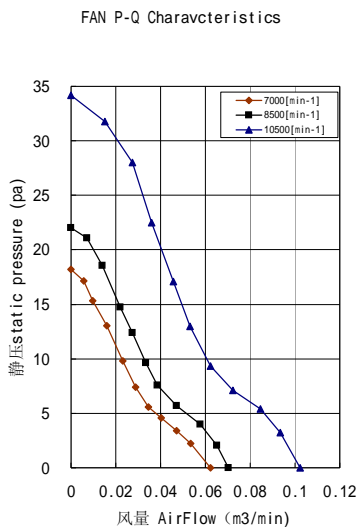
轴受构造(Bearing): 含油轴承 Sleeve Bearing

质量(Mass): 5.4 g

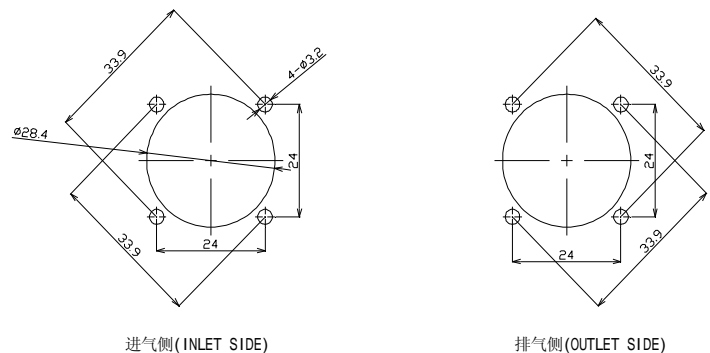
### ◆期待寿命 (H) Life expectancy

30,000 常温,常湿 (Room temp-humidity)

### ◆风量-静压特性 P-Q Charavcteristics



### ◆安装尺寸 Installation dimension



### ◆注记 Note

本产品一般用于(车载集成、办公设备、金融设备、通信网络、家用电器、工业机械航天仪器)等电子设备的散热,如客户有特殊的要求,请与本公司营业窗口联络。  
This product is generally used to dissipate the heat for vehicle integrated, office equipment, financial equipment, communication, household appliances, industrial machinery, space instrument and other electronic equipment, if customers have special requirements, please contact our company business window.