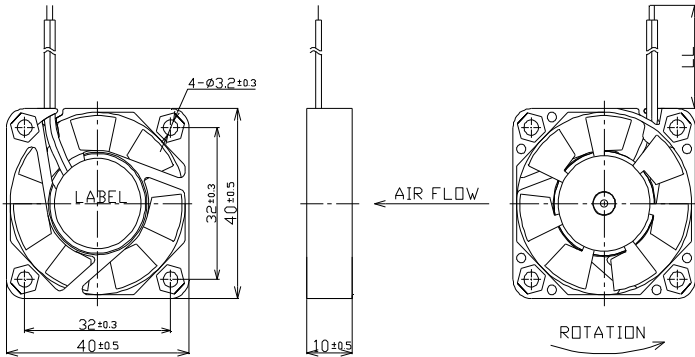


◆外观图 Appearance Drawing



单位: mm



◆产品规格 Specifications

型号 Model	额定电压(DCV) Rated voltage (V)	使用电压范围(DCV) Operating Voltage (V)	额定电流 Rated current (A)	额定功率 Rate input (W)	最大风量 Max air volume (m3/min)	最大静压 Max static pressure (pa)	A特性音压 Noise level (dB)	回转速度 Rotational Speed (min ⁻¹)
F4010GB-05LCV	5	4.5~5.5	0.075	0.375	0.11	9	22	3100
F4010GB-10LCV	10	9.0~11.5	0.055	0.55				
F4010GB-05MVCV	5	4.5~5.5	0.095	0.475	0.11	11	23	3400
F4010GB-12MVCV	12	10.2~13.8	0.07	0.84				
F4010GB-05PCV	5	4.5~5.5	0.15	0.75	0.15	0.15	26	4500
F4010GB-12PCV	12	10.2~13.8	0.075	0.9				
F4010GB-12QCV	12	10.2~13.8	0.11	1.32	0.17	20	28	5000
F4010GB-12RCV	12	10.2~13.8	0.13	1.56	0.2	23	33	5600

◆标准规格 Standard Specification

使用温度范围[℃]: -10 ~ 70

保存温度范围(Storage temperature)[℃]: -40 ~ 70

绝缘电阻(Insulation resistance): DC 500V, 10MΩ以上

耐电压(Withstanding Voltage): 5[mA]以下 (AC500V 1min, AC600V 1s)

电机保护(Motor protection): 烧损保护(Protection from Over-heating)

导线(Lead wire): UL1571 AWG 26 +, Red -:black

◆构造规格 Mechanical Specification

机壳(Frame): 塑料(黑色)Plastic (Black) UL难燃的等级: UL94V-0

叶轮(Impeller): 铁 Fe

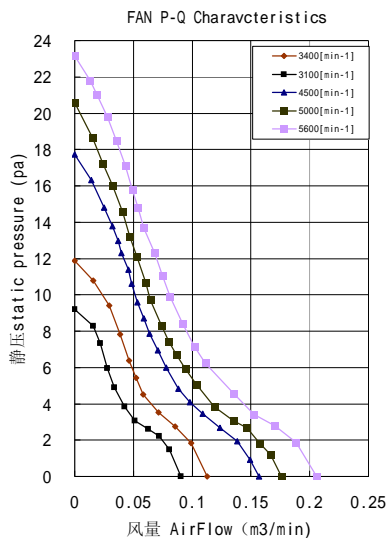
轴承构造(Bearing): 含油轴承 Sleeve Bearing

质量(Mass): 21 g

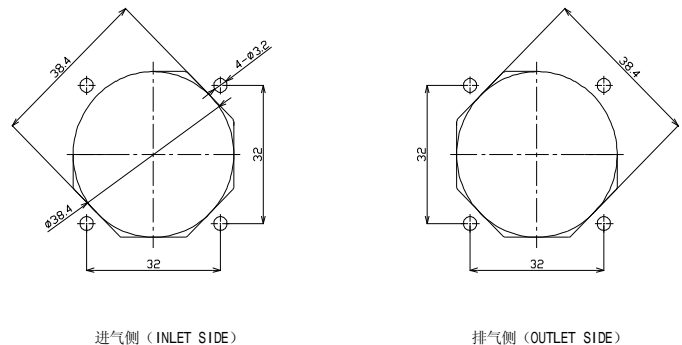
◆期待寿命 (H) Life expectancy

30,000 常温,常湿 (Room temp-humidity)

◆风量-静压特性 P-Q Charavcteristics



◆安装尺寸 Installation dimension



◆注记 Note

本产品一般用于(车载集成、办公设备、金融设备、通信网络、家用电器、工业机械、航天仪器)等电子设备的散热,如客户有特殊的要求,请与本公司营业窗口联络。

This product is generally used to dissipate the heat for vehicle integrated, office equipment, financial equipment, communication, household appliances, industrial machinery, space instrument and other electronic equipment, if customers have special requirements, please contact our company business window.